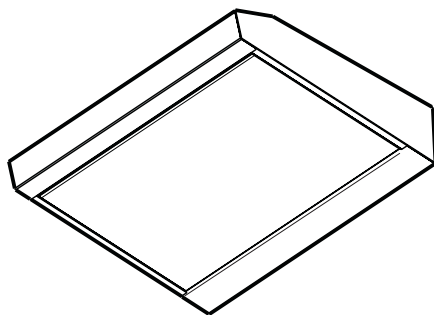


DU 3150 - DU 3160
DU 3360 - DU 4360
DU 4161 - DU 4361
DU 4561

Dunstabzugshaube
Afzuigkap
Hotte
Cooker Hood

Montage- und Gebrauchsanweisung
Installatie- en gebruiksaanwijzing
Notice d'utilisation et d'installation
Operating and Installation Instructions



Contents

Safety warnings	62
For the user	62
For the installer	63
Description of the Appliance	65
Extraction mode	65
Recirculation mode	65
Control Panel	66-67
Control Panel - DU 4561	68-69
Maintenance and Care	70
Cleaning the hood	70
Paper grease filter	71
Metal grease filter	72
Charcoal filter	73
Changing the light bulb	74
What to do if	75
Special accessories	75
Technical assistance service	76
Technical Specifications	77
Mounting accessories included	78
Electrical connection	78
Wall unit mounting	79
Wall mounting	80

Safety warnings


For the user

- The cooker hood is designed to extract unpleasant odours from the kitchen, it will not extract steam.
- Always cover lighted elements, to prevent excess heat from damaging the appliance. In the case of oil, gas and coal fired cookers it is essential to avoid open flames.
- Also, when frying, keep the deep frying pan on the cooker top/cooker under careful control.
- The hot oil in the frying pan might ignite due to overheating.
- The risk of self-ignition increases when the oil being used is dirty.
- It is extremely important to note that overheating can cause a fire.
- **Never carry out any flambé cooking under the hood.**
- **Always disconnect the unit from the power supply before carrying out any work on the hood, including replacing the light bulb** (take the cartridge fuse out of the fuse holder or switch off the automatic circuit breaker).
- **It is very important to clean the hood and replace the filter at the recommended intervals. Failure to do so could cause grease deposits to build up, resulting in a fire hazard.**
- The appliance is not intended for use by young children or infirm persons without supervision.
- Older children must be supervised if using the appliance.
- Young children should be supervised to ensure that they do not play with the appliance.
- **WARNING** - Ensure that the appliance is switched off before replacing the lamp to avoid the possibility of electric shock.

This appliance is marked according to the European directive 2002/96/EC on Waste Electrical and Electronic Equipment (WEEE).

By ensuring this product is disposed of correctly, you will help prevent potential negative consequences for the environment and human health, which could otherwise be caused by inappropriate waste handling of this product.



The symbol  on the product, or on the documents accompanying the product, indicates that this appliance may not be treated as household waste. Instead it shall be handed over to the applicable collection point for the recycling of electrical and electronic equipment. Disposal must be carried out in accordance with local environmental regulations for waste disposal.

For more detailed information about treatment, recovery and recycling of this product, please contact your local city office, your household waste disposal service or the shop where you purchased the product.

For the installer

- When used as an extractor unit, the hood must be fitted with a 125mm diameter hose.
- **DU 3150/3160/4561/4361/4161:** Should there already be a pipe of diameter 100 that ducts to the outside through the walls, it is possible to use the 125-100 mm reduction flange provided. In this case the hood will be slightly noisier.
- **When installing the hood, make sure you observe the following minimum distance from the top edge of the cooking hob/ring surfaces:**

electric cookers	500 mm
gas cookers	700 mm

If the instructions for installation for the gas hob specify a greater distance, this must be adhered to.
- The national Standard on fuel-burning systems specifies a maximum depression of 0.04 mbar in such rooms.
- The air outlet must not be connected to chimney flues or combustion gas ducts. The air outlet must under no circumstances be connected to ventilation ducts for rooms in which fuel-burning appliances are installed.
- The air outlet installation must comply with the regulations laid down by the relevant local authorities.
- When the unit is used in extraction mode, a sufficiently large ventilation hole must be provided, with dimensions that are approximately the same as the outlet hole.
- National and regional building regulations impose a number of restrictions on using hoods and fuel-burning appliances connected to a chimney, such as coal or oil room-heaters and gas fires, in the same room.
- Hoods can only be used safely with appliances connected to a chimney if the room and/or flat (air/environment combination) is ventilated from outside using a suitable ventilation hole approximately 500-600 cm² large to avoid the possibility of a depression being created during operation of the hood.
- If you have any doubts, contact the relevant controlling authority or building inspector's office.
- Since the rule for rooms with fuel burning appliances is "outlet hole of the same size as the ventilation hole", a hole of 500-600 cm², which is to say a larger hole, could reduce the performance of the extractor hood.
- If the hood is used in its recirculation mode, it will operate simply and safely in the above conditions without the need for any of the

aforementioned measures.

- When the hood is used in its extraction mode, the following rules must be followed to obtain optimal operation:
 - short and straight outlet hose
 - keep bends in outlet hose to a minimum
 - never install the hoses with an acute angle, they must always follow a gentle curve.
 - keep the hose as large as possible (preferably the same diameter as the outlet hole).
 - the length should be no more than:
 - 3 metres with one 90° bend
 - 2 metres with two 90° bendsBends of more than 90° will reduce the efficiency of the hood and reduce the airflow.
- Failure to observe these basic instructions will drastically reduce the performance and increase the noise levels of the extractor hood.

Description of the Appliance

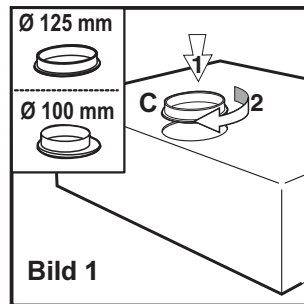
- **The cooker hood is designed to extract unpleasant odours from the kitchen, it will not extract steam.**
- The hood is supplied as an extractor unit and can also be used with a recirculation mode by fitting a charcoal filter.
- In some models the charcoal filter is supplied. The hood, therefore, can be used immediately in the recirculation mode. We advise removing the charcoal filter to use the hood in the extraction mode.

Extraction mode

- In this mode fumes are extracted to the outside via a **hose** connected to the **coupling ring C**. **Fig. 1**.
- In order to obtain the best performance the hose should have a diameter equal to the outlet hole.

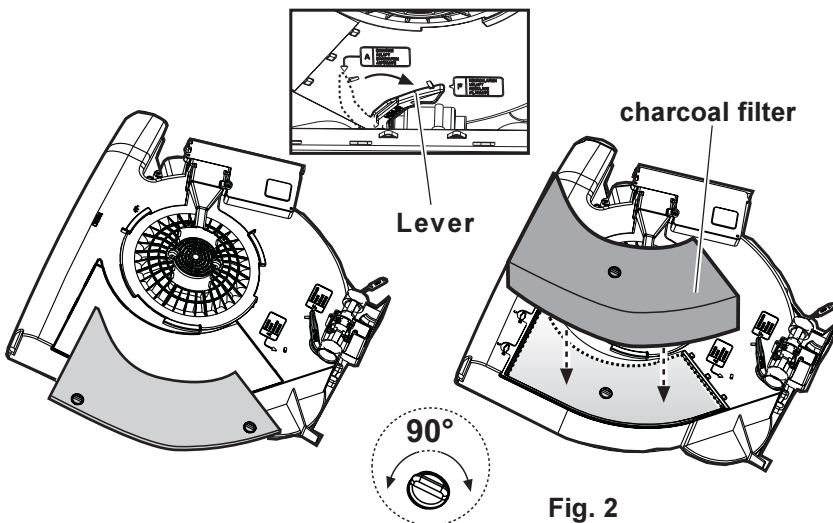
Should there already be a pipe of diameter 100 that ducts to the outside through the walls, it is possible to use the 125-100 mm reduction flange provided.

In this case the hood will be slightly noisier.



Recirculation mode

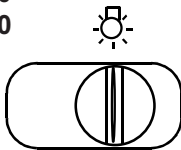
- The air is filtered through a **charcoal filter** and returned to the kitchen.
- Move the lever to position **F** - **Fig. 2**.
- You will need an original charcoal filter for the recirculation mode. (See Special Accessories).



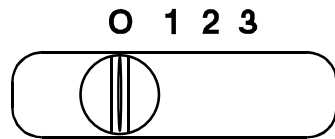
Control Panel - DU 3150/3160/4161

- Best results are obtained by using a low speed for normal conditions and a high speed when odours are more concentrated.
Turn the hood on a few minutes before you start cooking.
The hood should be left on after cooking for about 15 minutes or until all the odours have disappeared.
The control switches are located on the hood's front panel:
- the **light switch** switches the hood lamp on and off
- the **motor switch** switches the motor on and off, enabling you to select one of the three different speeds.

DU 3150
DU 3160



Light switch



Motor switch

DU 4161



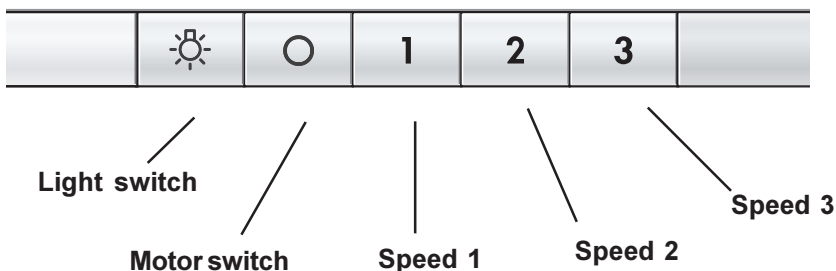
Light switch

Motor switch

Control Panel - DU 3360/4360/4361

- Best results are obtained by using a low speed for normal conditions and a high speed when odours are more concentrated.
Turn the hood on a few minutes before you start cooking.
The hood should be left on after cooking for about 15 minutes or until all the odours have disappeared.
The control switches are located on the hood's front panel:

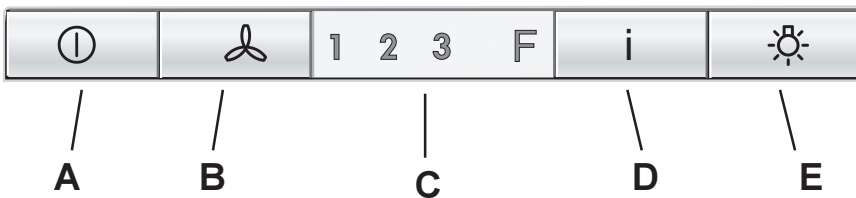
- the **light switch** switches the hood lamp on and off
- the **motor switch** switches the motor off
- **Speed 1:** Speed 1 push-button
- **Speed 2:** Speed 2 push-button
- **Speed 3:** Speed 3 push-button



Control Panel - DU 4561

- Best results are obtained by using a low speed for normal conditions and a high speed when odours are more concentrated.
Turn the hood on a few minutes before you start cooking.
The hood should be left on after cooking for about 15 minutes or until all the odours have disappeared.
The control switches are located on the hood's front panel:

- A** - OFF – ON push button
Press once or more to obtain the function desired:
ON: the hood switches on to the last speed selected.
OFF: all the functions are switched off except the illumination.
- B** - Speed selection push button (extraction power).
Press this push button once or more to select the most suitable extraction speed (power) (1-2-3).
- C** - The display shows the extraction power selected, signalling the **saturation** of the filters (F).
- D** - Intensive speed on/off. The Intensive speed runs for 5 minutes:
If the hood is on when the Intensive speed is activated, the hood reverts to previous speed after 5 minutes.
If the hood is off when the Intensive speed is activated, the hood will be turned off after 5 minutes.
To interrupt the Intensive speed, press button A or B.
- H** - Light ON/OFF



Should the hood or the controls fail to operate: disconnect the power supply for at least 5 seconds, then turn the hood back on again.

Grease and charcoal filter maintenance indicator - DU 4561

This hood is fitted with a device that indicates when it is necessary to clean the grease filter or the charcoal filter (if the hood is used in the recirculation version with a charcoal filter).

On delivery, the hood is not supplied with a charcoal filter, so the saturation indicator will be disabled.

If the hood is to be used with a charcoal filter, the saturation indicator light must be enabled as follows:

Pressing keys **B** and **D** simultaneously for three seconds, **LED F** lights up and begins to flash the 1st speed led. After 1 second the 2nd speed led also flashes and the system emits a sound signal (-Beep-) to indicate setting taking place.

To remove the charcoal filter signal press push buttons **B** and **D** simultaneously for 3 seconds. **LED F** lights up and begins to flash the 1st speed led (grease filter) and the 2nd speed led. After 1 second, only the 1st speed led continues to flash. The system emits a sound signal (-Beep-) to indicate setting taking place.

Grease filter LED

The 1st speed led (+ **led F**) flashes, when it is time to clean the grease filter.

Always comply with the maintenance instructions for the grease filter.

Charcoal filter LED

The 2nd speed led (+ **led F**) flashes, when the charcoal filter needs to be cleaned or replaced.

Resetting the saturation indicator

After cleaning or replacing the filters, press button **1** for 3 seconds until the 1st speed led or the second speed led stops flashing.

The **F LED** also turns off.

Maintenance and Care

- **The hood must always be disconnected from the electricity supply before beginning any maintenance work.**

Cleaning the hood

- Clean the outside of the hood using a damp cloth and a solution of water and mild washing up liquid.
- Never use corrosive, abrasive or flammable cleaning products or products containing bleach. .
- Never insert pointed objects in the motor's protective grid.
- Only ever clean the switch panel and filter grill using a damp cloth and mild washing up liquid.
- It is extremely important to clean the unit and change the filters at the recommended intervals. Failure to do so will cause grease deposits to build up that could constitute a fire hazard.

Paper grease filter- DU 3150 - DU 3160 - DU 3360

- The purpose of the grease filters is to absorb grease particles which form during cooking and it must always be used, either in the external evacuation or internal recycling function. The paper grease filter is very thin (approx. 1 mm) and positioned on the inside of its related support grille. The filter should be changed once a month.
- The grille should be cleaned with luke warm water and non-abrasive detergent when you change the filter.
- The grease filter can be ordered from your local Service Force Centre.

Opening the grille

Open the **latch** and swing the **grille** downwards.

To remove the **grille**, pull it forwards from the right and release it.

Fig. 3.

Removing the filter

Open the **grille** and remove the **stops** to take out the **filter**. **Fig. 3.**

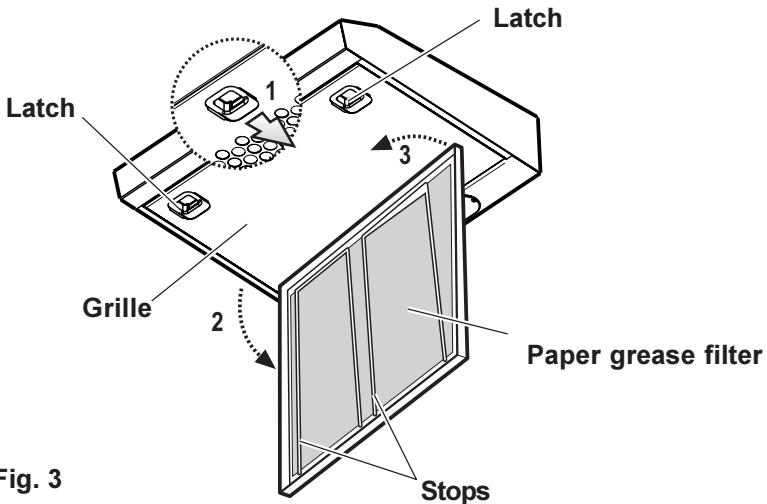


Fig. 3

Metal grease filter - DU 4360/4161/4361/4561

- The purpose of the grease filters is to absorb grease particles which form during cooking and it **must** always be used, either in the external extraction or internal re-circulation function.
Attention: the metal grease filters must be removed and washed, either by hand or in the dishwasher, every four weeks.

Removing the metal grease filter

First pull the **latches** backwards (a), then extract the grille outwards (b). **Fig. 4.**

Hand washing

Soak grease filters for about one hour in hot water with a grease-loosening cleaner, then rinse off thoroughly with hot water. Repeat the process if necessary. Refit the grease filters when they are dry.

Dishwasher

Place grease filters in the dishwasher. Select most powerful washing programme and highest temperature, at least 65°C. Repeat the process. Refit the grease filters when they are dry.

When washing the metal grease filter in the dishwasher a slight discolouration of the filter can occur, this does not have any impact on its performance.

- Clean the inner housing using a hand hot solution only (never use caustic detergents, abrasive powders or brushes).

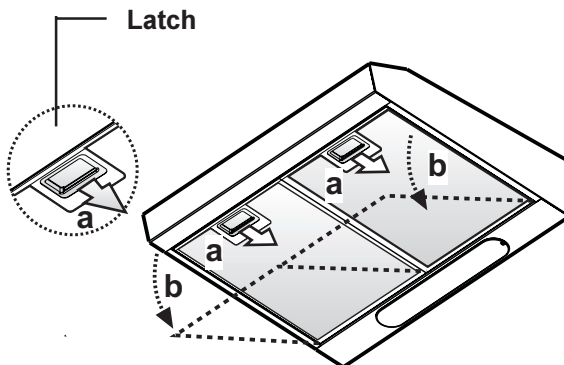


Fig. 4

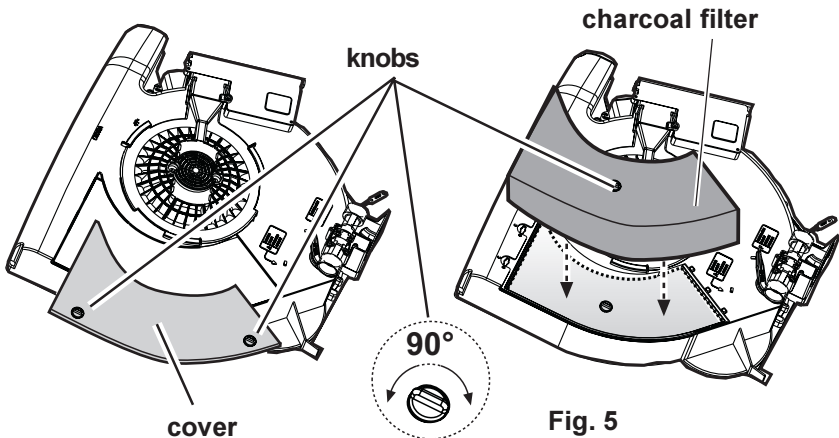
Charcoal filter

- The charcoal filter should only be used if you want to use the hood in recirculation mode.
- To do this you will need an original charcoal filter (available from your local Service Force Centre).
- The charcoal filter cannot be washed nor regenerated.
The charcoal filter should be replaced every 4 months under normal use.
Replacement filters are available from your local Service Force Centre.

Fitting

Remove the cover by rotating the knobs to 90° , put the charcoal filter inside and fix it by rotating the knob to 90° then close the cover. **Fig. 5.**

- **To remove** proceed in the reverse order.
- Always specify the hood model code number and serial number when ordering replacement filters. This information is shown on the rating plate located on the inside of the unit.
- The charcoal filter can be ordered from your local Service Force Centre.



Warning

- Failure to observe the instructions on cleaning the unit and changing the filters will cause a fire hazard. You are therefore strongly recommended to follow these instructions.
- The manufacturer declines all responsibility for any damage to the motor or any fire damage linked to inappropriate maintenance or failure to observe the above safety recommendations.

Changing the light bulb

- **Disconnect the cooker hood from the mains supply.**
- Remove the grid.
- Replace the old bulb with a new one of the same type.
- Refit the grid.
- If the light does not come on, make sure the bulb has been inserted in correctly before contacting your local Service Force Centre.

Changing the light bulb - DU 4561

- **Disconnect the cooker hood from the mains supply.**
- Remove the lamp cover carefully, use a screw driver as a lever. **Fig. 6.**
- Replace the old bulb with a new one of the same type.
- Refit the lamp cover.
- If the light does not come on, make sure the bulb has been inserted in correctly before contacting your local Service Force Centre.

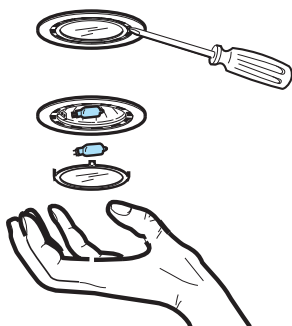


Fig. 6

What to do if

If your appliance fails to work properly please carry out the following checks.

Symptom	Solution
The cooker hood will not start...	Check that: The hood is connected to the electricity supply. Check that a fan speed has been selected
The cooker hood is not working	Check that: The fan speed is set high enough for the task. The grease filters are clean. The kitchen is adequately vented to allow the entry of fresh air. If set up for recirculation, check that the charcoal filter is still effective. If set up for extraction, check that the ducting and outlets are not blocked.
The cooker hood has switched off during operation...	The safety cut-out device has been tripped. Turn off the hob and then wait for the device to reset. If the hood has been installed below the heights indicated in the installation instructions the motor will cut-out frequently which will damage the hood.

If after all these checks, the problem persists, contact your local Service Force Centre, quoting the model and serial number. Please note that it will be necessary to provide proof of purchase for any in-guarantee service calls. In-guarantee customers should ensure that the above checks have been made as the engineer will make a charge if the fault is not a mechanical or electrical breakdown.

Special accessories

Charcoal filter TYPE 10

Technical assistance service (not for UK)

You are welcome to telephone our technical assistance service (see list of technical assistance centres) whenever you need information or in the unlikely event of a fault.

For service in Australia call 1300 650 020.

When calling, please be ready to specify:

1. **The model code number**
2. **The serial number (E-Nr.)**
3. **The manufacturing number (F-Nr.)**

This information is shown on the registration plate inside the unit behind the grease filter.

We reserve the right to change specifications and colours as a result of our policy of continuing technological development.

Service and Spare Parts

In the event of your appliance requiring service, or if you wish to purchase spare parts, contact your local Service Force Centre by telephoning: **08705 929 929**

Your call will be automatically routed to the Service Centre covering your post code area. For the address of your local Service Force Centre and further information about Service Force, please visit the website at www.serviceforce.co.uk

Please ensure that you have read the section „What to do if...“ as the engineer will make a charge if the fault is not a mechanical or electrical breakdown even the appliance is under warranty. **Please note that proof of purchase is required for in-guarantee service calls.**

Help us to help you

Please determine your type of enquiry before writing or telephoning.

When you contact us we need to know:

- Your name
- Clear and concise details of the fault
- Address and post code
- Name and model of the appliance*
- Telephone number
- E number*
- Serial number*

* This information can be found on the rating plate, which can be seen when the grease filters are removed.

If you require Customer Service in the Republic of Ireland please contact us at the address below:

AEG

Electrolux Group (Ire) Ltd

Long Mile Road

Dublin 12

Republic of Ireland

Tel: + 353 (0) 1 4090751

Email: service.eid@electrolux.ie

CUSTOMER CARE DEPARTMENT

For general enquiries concerning your AEG appliance or for further information on AEG products, please contact our Customer Care Department by letter or telephone at the address below or visit our website at www.aeg.co.uk

Customer Care Department
AEG
55-77 High Street
Slough, Berkshire
SL1 1DZ
08705 950950 (*)

* calls to this number may be recorded for training purposes.

Technical Specifications

Models:	DU 3150	DU 3160	DU 3360 DU 4360 DU 4161	DU 4361	DU 4561
Dim. (in cm):					
Height	13,2	13,2	13,2	13,2	13,2
Width	49,9	59,9	59,9	59,9	59,9
Depth/(DU 4161)	51	51	51/(51,2)	51,2	51,2
Max. absorbed power: (in W):	140	140	180	220	180
Motor (in W):	100	100	100	140	140
Lighting (in W):	40	40	2 x 40	2 x 40	2 x 20
Length of the cables (in cm):	150	150	150	150	150
Electrical connection (in V):	220-240	220-240	220-240	220-240	220-240
Fuse rating*:			5A		

* Only for UK.

Mounting accessories included

- 3 screws 5 x 45 mm
- 3 wall plugs Ø 8 mm (brick fixing only)
- 4 screws 4,2 x 35 mm
- 1 screw 2,9 x 13 mm
- 1 flange Ø 125 mm
- 1 flange Ø 125/100 mm (DU 3150/3160/4161/4361/4561)
- 1 allen spanner (for TORX screws)

Electrical connection (not for UK)

Safety warnings for the electrician

Before connecting the appliance to the power supply, check that the voltage indicated on the rating plate corresponds to the mains power supply available. Appliances fitted with a plug can be connected to any standard power socket within easy access.

Should it be necessary to provide a fixed connection, the hood must only be installed by an electrician authorised by the local electricity board. When installing, an omnipolar disconnector with a distance of at least 3 mm between contacts must be provided.

Fixed connection of the appliance must only be carried out by an authorised electrician.

Electrical connection for UK only

Safety warnings for the electrician

Connect the hood to the mains supply via a double pole switch which has 3 mm minimum separation between the contacts.

The switch must be accessible at all times.

The following is valid in the United Kingdom only:

- the wire which is coloured blue must be connected to the terminal which is marked with the letter N or coloured black, -
- the wire which is coloured brown must be connected to the terminal which is marked with the letter L or coloured red.

Wall unit mounting - Fig. 7

- Make the holes on the bottom of the cupboard (2), using the drilling template (1).
Provide a hole also for the ducting pipe (4) ONLY if it is decided to use the hood in the extractor version (3).
- From inside the cupboard, insert the 4 supplied screws (5) and tighten them in the appropriate holes on the appliance.

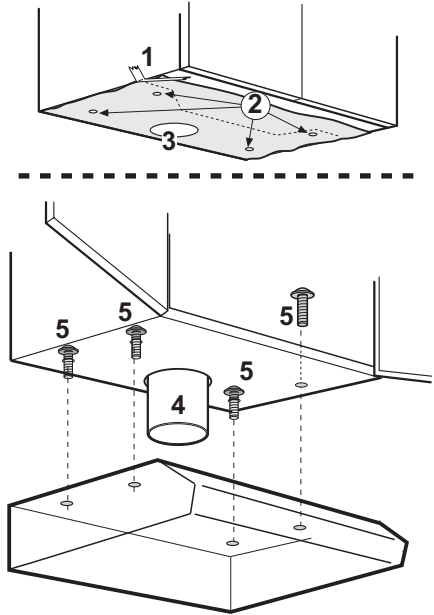


Fig. 7

Wall mounting - Fig. 8

- Mark a centre line on the wall (1).
- Fix the drilling template to the wall (2).
- Make 3 Ø 8mm holes in the wall (3), 2 at upper points, 1 as desired at lower points.
- Insert the three Ø 8mm expansion plugs into the wall (4).
- Insert 2 5x45 screws (5) but do not tighten them completely, hang the hood (6).
- **Only DU 4161 - DU 4361 - DU 4561:** Adjust the unit so that it is positioned at a right angle to the wall by turning the two screws on lower side (7).
- Tighten the 2 upper screws (8).
- From inside the hood, insert the third 5x45 screw into the lower hole (9) and tighten (10).

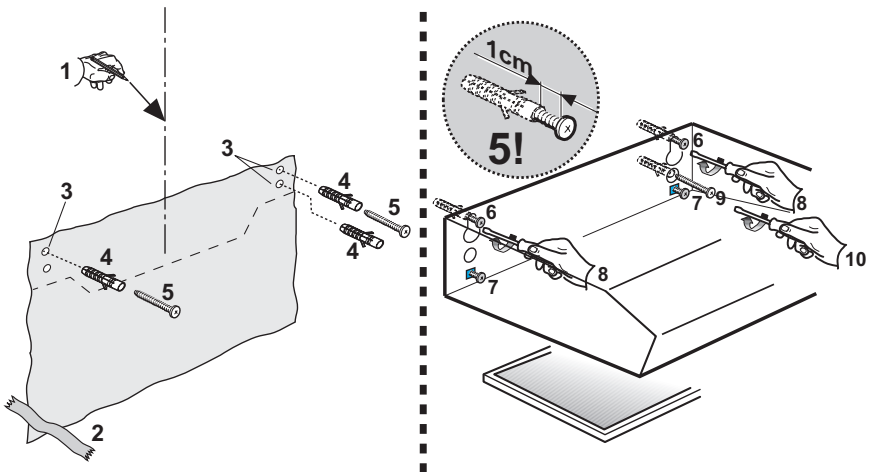


Fig. 8



From the Electrolux Group. The world's No.1 choice.

The Electrolux Group is the world's largest producer of powered appliances for kitchen, cleaning and outdoor use. More than 55 million Electrolux Group products (such as refrigerators, cookers, washing machines, vacuum cleaners, chain saws and lawn mowers) are sold each year to a value of approx. USD 14 billion in more than 150 countries around the world.

**AEG
55-77 High Street
SLOUGH
Berks
SL1 1DZ
<http://www.aeg.co.uk>**

**AEG Hausgeräte GmbH
Postfach 1036
D-90327 Nürnberg
<http://www.aeg.hausgeraete.de>**